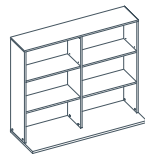


align wall unit

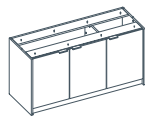
Assembly instructions.



You have received:

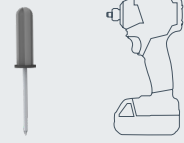


Wall Unit Top



Wall Unit Base

You will need:



Pozi or Phillips Screwdriver
Battery Drill
#2 Square Driver Bit



Qty	Description	Colour	Driver Bit
4	Minifix Cam Bolts		Pozi or Phillips Screwdriver
8	32mm Surefix Screws		#2 Square Driver Bit <input type="checkbox"/>

Step 1

Using 2 People, Lift the Wall Unit Base to its final location. We recommend the unit is placed against a wall for safety reasons.

Step 2

On the underside of the 25mm thick top of the Wall Unit Top, you will have 4x holes for the cam bolt. This will line up with the cam holes in the wall unit base.

Step 3

Use two people to lift the top Wall Unit Top onto the Wall Unit Base, lining up the cam bolts in the Wall Unit Top with the cam bolt holes in the end panels of the Wall Unit Base.

Step 4

Tighten these 4x cams in the Wall Unit Base. Tighten these up by turning clockwise, do not over tighten. Tighten cams with any of these drivers: PZ2 Pozi, PH2 Phillips, flat blade or SW4 hexagon socket.

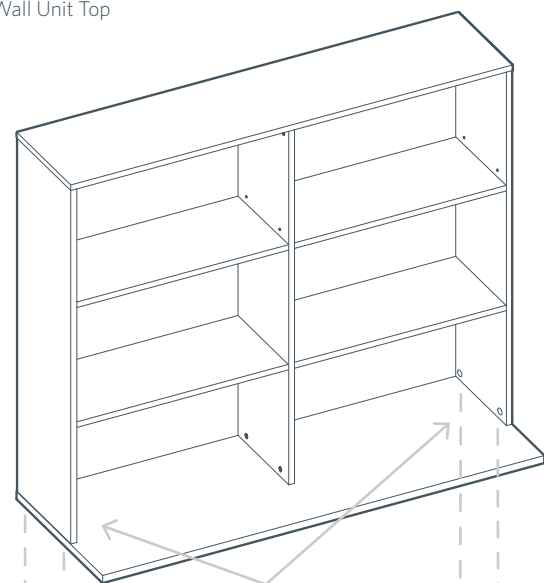
Step 5

Using the 32mm Surefix screws supplied, secure the Wall Unit top to the Wall Unit Base by using the 8x pre drilled screw holes in the Base Unit

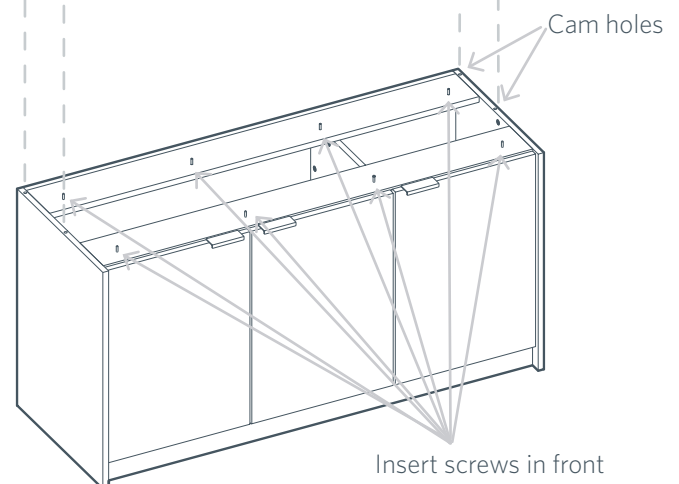
Step 6

We recommend you secure the Wall Unit to the wall, refer to the instruction sticker on the side of the unit.

Wall Unit Top



Cam bolt holes
on underside
of 25mm thick top



Wall Unit Base

Insert screws in front
and back rails