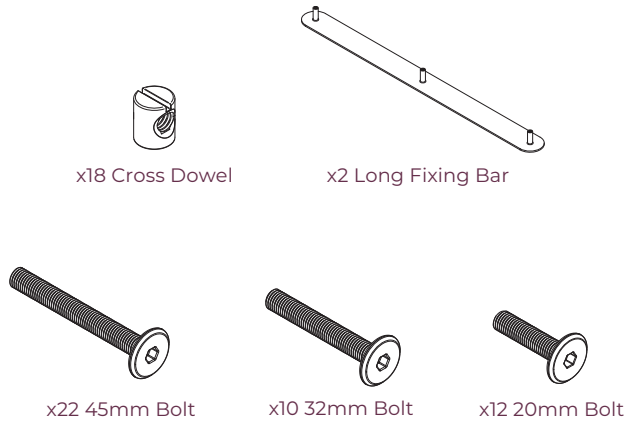
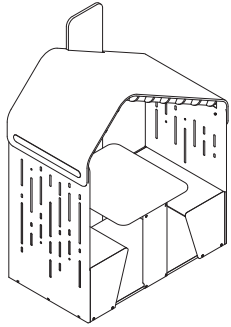
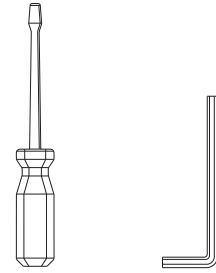


You have received:



Tools required:

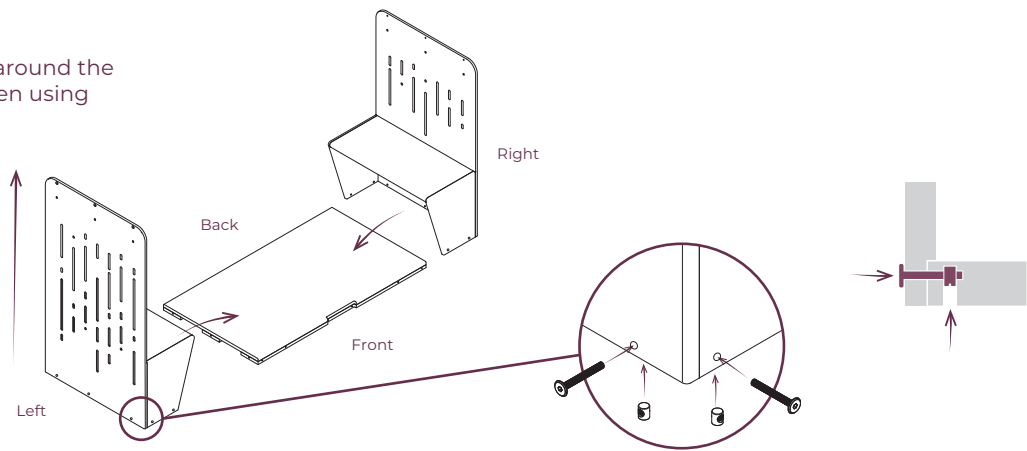
- Flat head screwdriver
- Hex head driver/alan key



Assembly instructions:

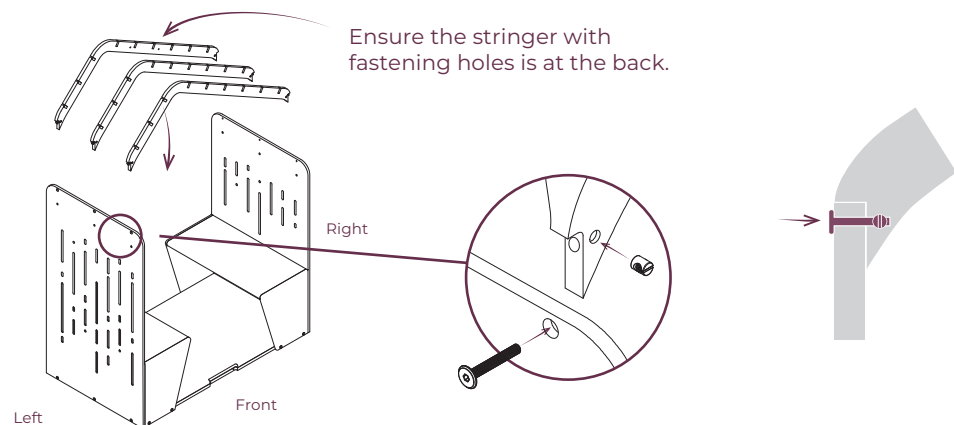
1. Slide the seat & side around the end of the base. Fasten using x14 cross dowels & x14 45mm bolts.

Ensure the tall side is on the Left.

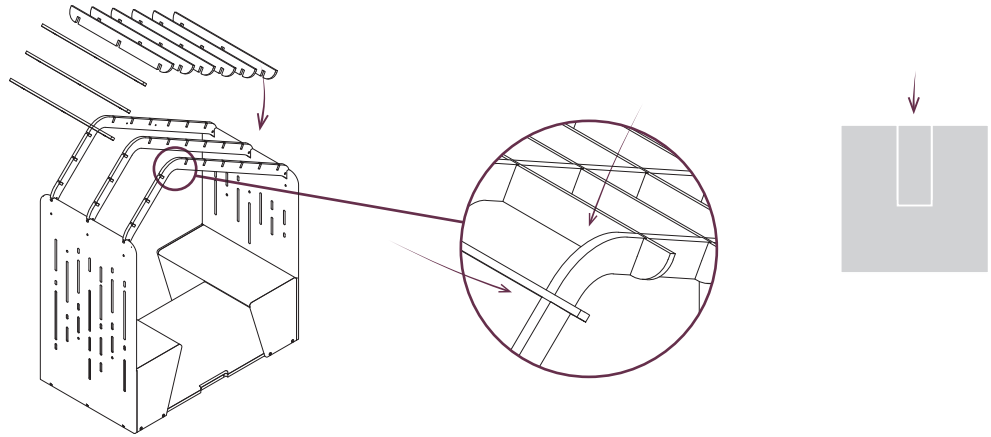


2. Position stringers with the short side to the left. Fix stringers to sides using x6 cross dowels & x6 32mm bolts.

Ensure the stringer with fastening holes is at the back.

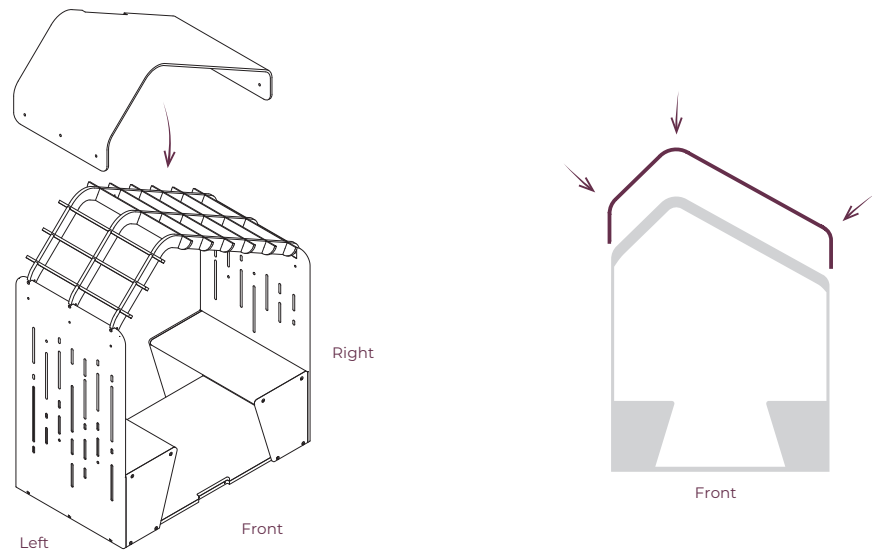


- 3.** Slide each felt rafter into the slots in the timber stringers.

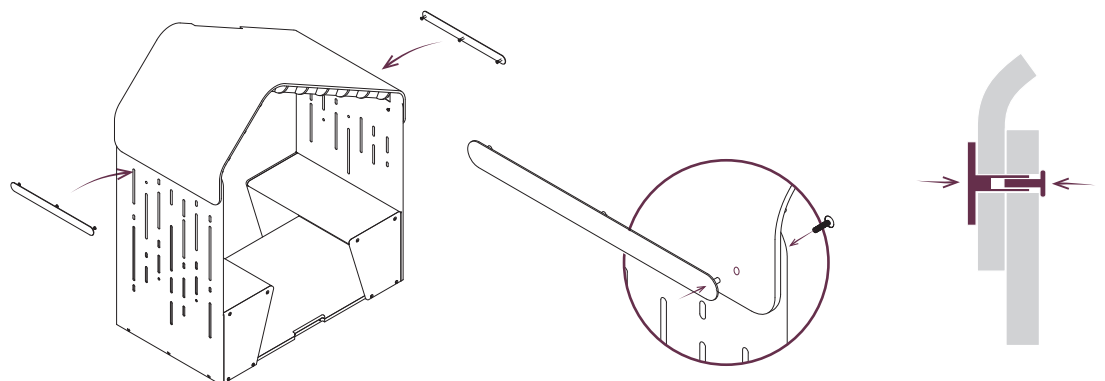


- 4.** To position the roof, ensure the cut grooves are on the bottom and line up the corners with the stringer profile.

Short side on the left.



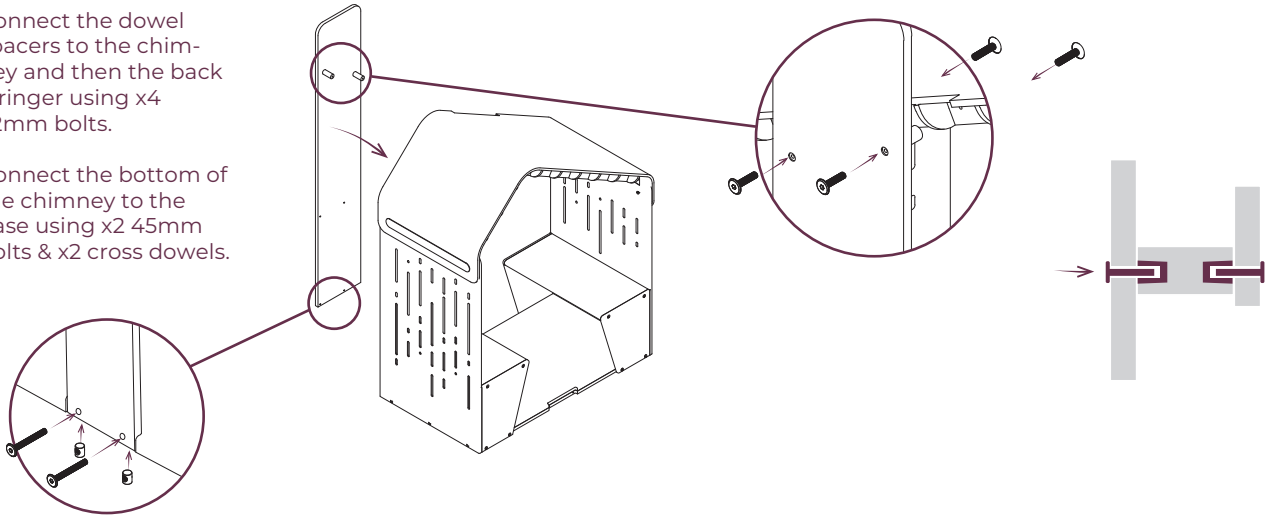
- 5.** Push the fixing bars through the holes in the roof and sides. Fix in place using x6 20mm bolts.



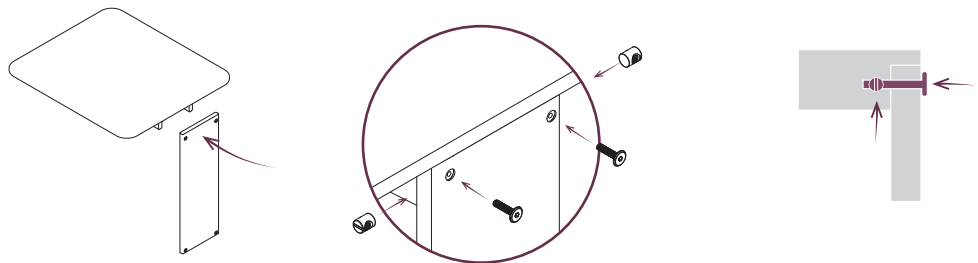
Learning Hut

6. Connect the dowel spacers to the chimney and then the back stringer using x4 32mm bolts.

Connect the bottom of the chimney to the base using x2 45mm bolts & x2 cross dowels.



7. Fix table leg & table top in place using x2 cross dowels & x2 45mm Bolts.



8. Fix table leg & table top in place using x2 cross dowels & x2 45mm Bolts.

