

# align wall unit

Assembly instructions.



## You will need:

PZ2 Pozi, PH2 Phillips, flat blade or SW4 hexagon socket.

### Step 1

Remove the transport panel from the bottom of the Wall Unit Top by unscrewing the cams anticlockwise so the arrow is pointing towards the transport panel. Discard the transport panel.

### Step 2

Use two people to lift the base unit to its final location. We recommend the unit is placed against a wall for safety reasons. Remove the cam bolts from the Wall Unit Top end panels and division panel, and place them into the holes on the top of the Wall Unit Base.

### Step 3

Use two people to lift the top Wall Unit Top onto the Wall Unit Base, lining up the cam bolts in the Wall Unit Base with the cam bolt holes in the end panels and division panel of the Wall Unit Top. Ensure the 9mm solid back of the Wall Unit Top slots correctly into the groove in the Wall Unit Base.

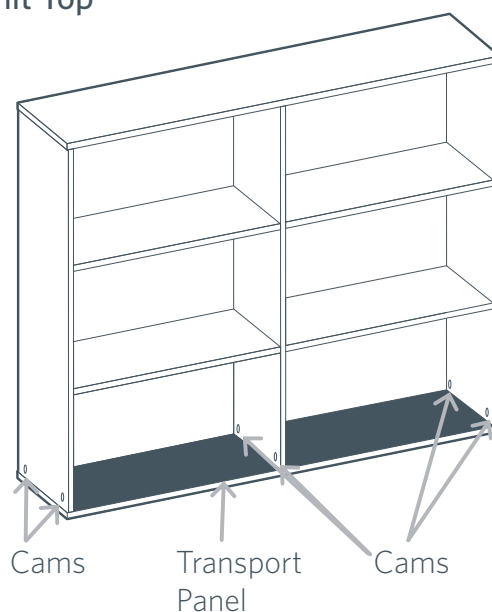
### Step 4

Tighten cams up clockwise, do not over tighten.

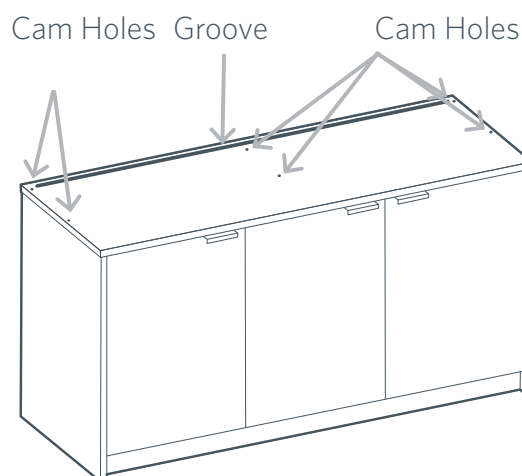
### Step 5

We recommend you secure the Wall Unit to the wall, refer to the instruction sticker on the reverse of the unit.

## Wall Unit Top



## Wall Unit Base



Cam

Cam Bolt

