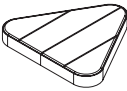
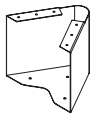


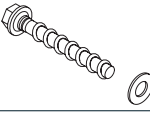
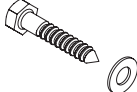


# Cohort Triangle Stool



| Supplied Parts  |                              |    |
|---|------------------------------|----|
|  | Stool Top                    | x1 |
|  | Stool Leg                    | x1 |
|  | Stainless M8 Bolts & Washers | x6 |
|  | Hex Key                      | x1 |

## Anchoring

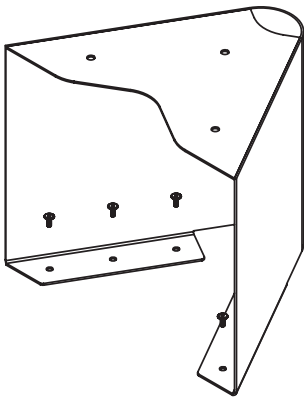
| Ground Fasteners (Not Supplied)   |  |                  |
|---|--|------------------|
|  | Concrete:<br>Stainless Hex Head<br>M10 Concrete An-<br>chor & Washer | x3<br>per<br>leg |
|  | Timber:<br>Stainless Hex Head<br>M10 Coach Screw &<br>Washer         | x3<br>per<br>leg |

## General Assembly Notes:

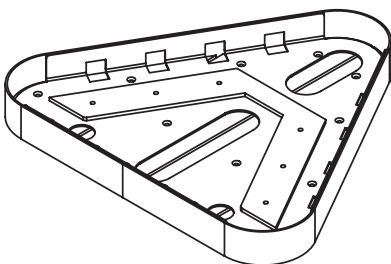
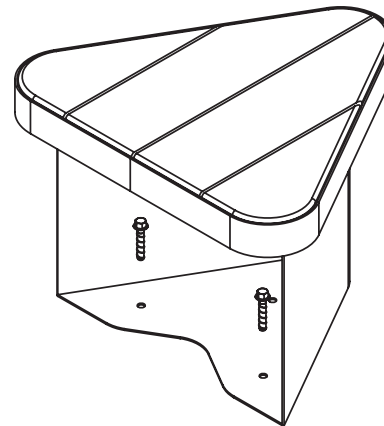
**Assemble:** Invert the bench top to access the fastening plate, secure each leg to the fastening plate using four fixings per leg (M8 Bolt & washers).

**Position Unit & Fix to Ground Surface:** Bench is rotated to an upright position. Position in the desired location on an even/flat surface. Use either concrete or timber fasteners with washers (3 per leg).

### Step 1



### Step 2



# Cohort Furniture Range



## Installation Recommendations

In order to ensure stability, longevity and theft prevention we recommend fixing outdoor furniture to the ground. Please consult with a skilled installer to ensure that products are correctly installed using appropriate methods and hardware.

For soft surfaces such as grass, engineered rubber or bark chip, in situ or precast concrete footings may be required to ensure effective fixing. When installed within playground environments, products should be positioned and installed in accordance with applicable playground safety standards and fall-zone requirements.



## Caring for Your Cohort Outdoor Furniture

Teak is naturally durable and weather-resistant, making it ideal for outdoor learning spaces. With simple, occasional care, it will look great and perform beautifully for years.

### Let it age naturally

- Teak develops a beautiful silver-grey patina over time - this is normal and doesn't affect performance.
- Prefer the golden tone? Apply a teak oil or sealer once or twice a year.

### Easy to clean

- Wipe down with mild soapy water and a soft cloth to remove dust and dirt.
- Rinse thoroughly and dry completely before use.

### Seasonal tips

- Place furniture on well-drained surfaces to avoid pooling water.
- If the furniture isn't fixed down, consider moving it under cover during long breaks or heavy rain.

With simple care - whether you let it weather naturally or maintain the original tone - your teak furniture will keep performing year after year.

